

AFCO Custom Radiator Form

VEHICLE: _____

DATE: _____

SALESPERSON: _____

CUSTOMER: _____

FAX: _____

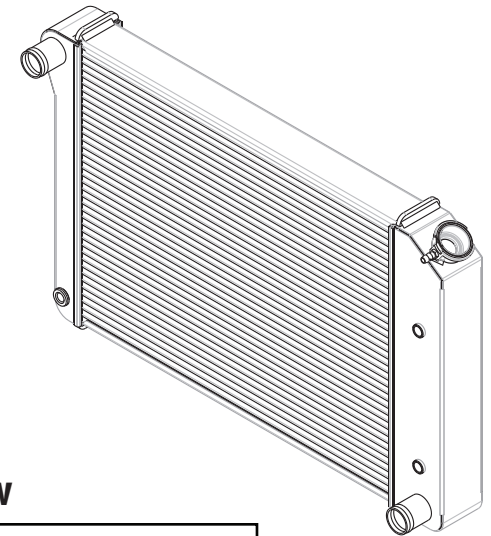
CONFIRMATION: _____

customer signature

CALL BEFORE SHIPPING: _____

CREDIT CARD INFO: yes no

SHIPPING INFO: _____



Cross Flow

Transmission or Oil Cooler

Mounting Tabs

Shroud polished:
yes no

Fan size:

location:
T C B

Drain Bung
1/4" FPT
Petcock

Extra Bung

Hood Mount

Extra Notes:

Inlet Size
____" diameter

Outlet Size
____" diameter

Filler Neck
Conv.
Gambler

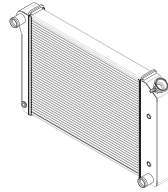
Condenser

Condenser Tabs

Fin Covers

Baffle in Tank
LH
RH

Polished



Tank Design
left

square

curved

angled

right

square

curved

angled

engine side

side view

top view

engine side

engine side view